



G.S. Beam is the foundation of the Slick Ground Support tower systems. It is specifically designed as a tower truss and is used on both the one and two tonne systems, (the only difference being the size of head and base unit), and can be used in stand alone, goal post situation (following Slick structural report guidelines) and in multiple grid situations.

The Maxi Beam travelling sleeve block that is used with the system is adaptable to connect to Mini Beam, G.S. Beam and Maxi Folding truss and Maxi Beam truss.

The G.S. head section has become synonymous with Slick towers with its streamline design. It is designed to take most types of chains and wires used in lifting equipment.

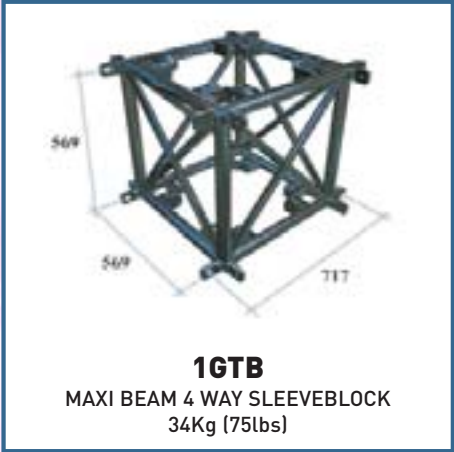
The G.S. base section comes in two sizes depending on capacity requirements and with the use of its outriggers the towers can be used in goal post situations.



2GH

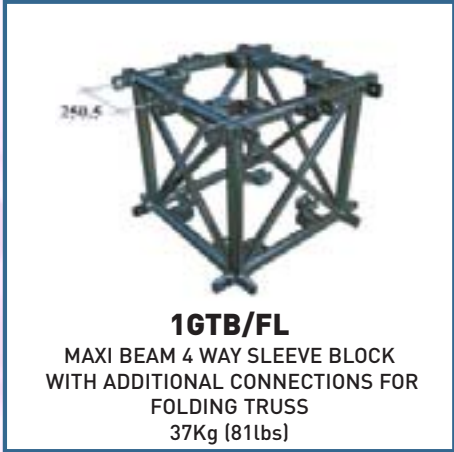


2GB/2



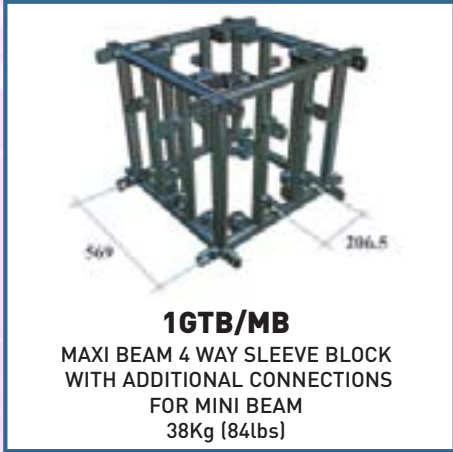
1GTB

MAXI BEAM 4 WAY SLEEVEBLOCK
34Kg (75lbs)



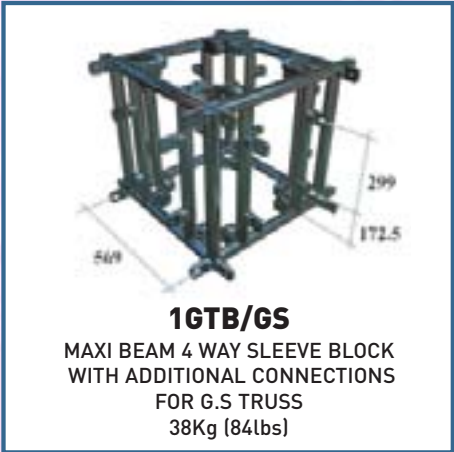
1GTB/FL

MAXI BEAM 4 WAY SLEEVE BLOCK
WITH ADDITIONAL CONNECTIONS FOR
FOLDING TRUSS
37Kg (81lbs)



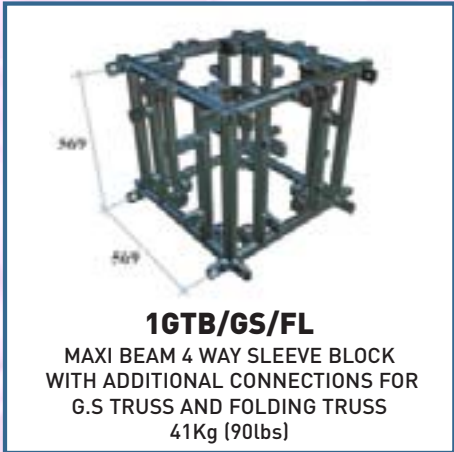
1GTB/MB

MAXI BEAM 4 WAY SLEEVE BLOCK
WITH ADDITIONAL CONNECTIONS
FOR MINI BEAM
38Kg (84lbs)



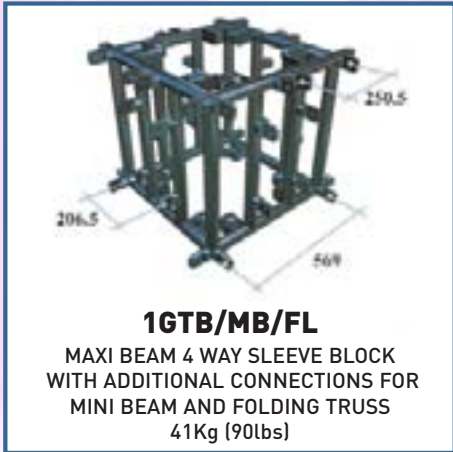
1GTB/GS

MAXI BEAM 4 WAY SLEEVE BLOCK
WITH ADDITIONAL CONNECTIONS
FOR G.S TRUSS
38Kg (84lbs)



1GTB/GS/FL

MAXI BEAM 4 WAY SLEEVE BLOCK
WITH ADDITIONAL CONNECTIONS FOR
G.S TRUSS AND FOLDING TRUSS
41Kg (90lbs)



1GTB/MB/FL

MAXI BEAM 4 WAY SLEEVE BLOCK
WITH ADDITIONAL CONNECTIONS FOR
MINI BEAM AND FOLDING TRUSS
41Kg (90lbs)