



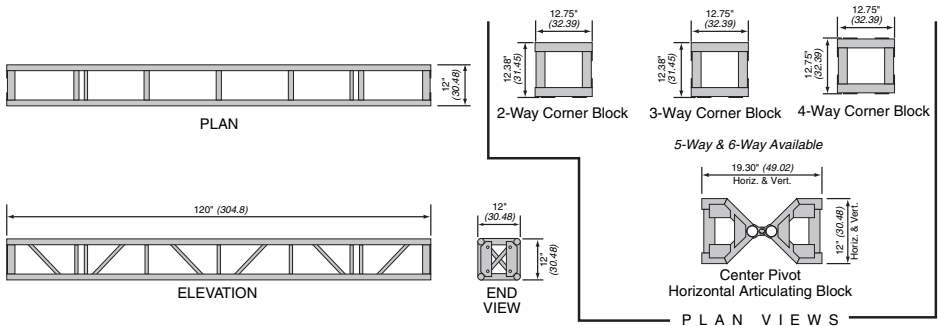
STAGING, LIGHTING AND SUPPORT SYSTEMS

**LIGHT DUTY
TRUSS
12" x 12" PLATED**



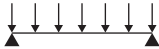

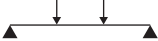

- * Standard lengths are 10', 8' and 5'**
- * Custom lengths available upon request**

- Equipped with single Camlocs or bolts
- Main chords are 2" OD x 1/8" aluminum
- Diagonals are 1" OD x 1/8" aluminum
- Fabricated by certified welders



ALLOWABLE LOAD DATA

LIGHT DUTY TRUSS 12" x 12" PLATED

Span ft. (mtrs)	MAXIMUM ALLOWABLE UNIFORM LOADS			MAXIMUM ALLOWABLE POINT LOADS						
	Load #/ft.	Load lbs (kgs)	Max Defl. in.	CENTER POINT		THIRD POINT		QUARTER POINT		
				Load lbs (kgs)	Max Defl. in.	Load lbs (kgs)	Max Defl. in.	Load lbs (kgs)	Max Defl. in.	
										
<i>Single Camloc through 3/8" gusset plates</i>										
10 (3.04)	308	3080 (1397)	0.09	1544 (700)	0.08	1158 (525)	0.10	772 (350)	0.09	
20 (6.09)	71	1420 (644)	0.38	719 (326)	0.31	539 (244)	0.39	359 (163)	0.36	
30 (9.14)	28	840 (381)	0.85	421 (191)	0.72	315 (143)	0.87	210 (95)	0.82	
40 (12.21)	12	480 (218)	1.46	254 (115)	1.32	190 (86)	1.54	127 (58)	1.45	
<i>5/8" diameter Grade 8 bolts with standard washers through 3/8" gusset plates</i>										
10 (3.04)	446	4460 (2023)	0.14	2231 (1012)	0.11	1673 (759)	0.14	1116 (506)	0.13	
20 (6.09)	106	2120 (962)	0.54	1063 (482)	0.44	797 (362)	0.56	531 (241)	0.52	
30 (9.14)	43	1290 (585)	1.22	650 (295)	1.01	487 (221)	1.25	325 (147)	1.17	
40 (12.21)	21	840 (381)	2.16	426 (193)	1.85	319 (145)	2.21	213 (97)	2.10	

Deflections reported in the above tables are maximum expected for full loadings (indoors only).

All loads are based on 10'-0" sections. Other section lengths are available.

Load tables are reprinted from engineering reports developed by Parkhill, Smith & Cooper, Inc., structural engineers, and apply to truss fabricated after December, 1989.

LIGHT DUTY TRUSS 12" x 12" PLATED

Connections are single sets of bolts or Camlocs

Product Description	Item Code	Weight lbs (kgs)
5' LIGHT DUTY TRUSS 12" X 12"		36 (16)
8' LIGHT DUTY TRUSS 12" X 12"		51 (23)
10' LIGHT DUTY TRUSS 12" X 12"		61 (28)
LIGHT DUTY 12" X 12" 2-WAY CORNER BLOCK		16 (7)
LIGHT DUTY 12" X 12" 3-WAY CORNER BLOCK		20
LIGHT DUTY 12" X 12" 4-WAY CORNER BLOCK		
LIGHT DUTY 12" X 12" 5-WAY CORNER BLOCK		
LIGHT DUTY 12" X 12" 6-WAY CORNER BLOCK		
LIGHT DUTY 12" X 12" HORIZ. ARTICULATING BLOCK		
LIGHT DUTY 12" X 12" VERT. ARTICULATING BLOCK		