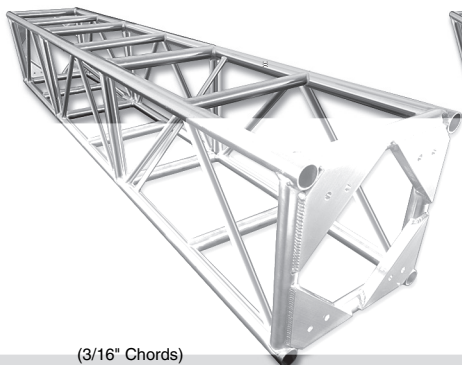
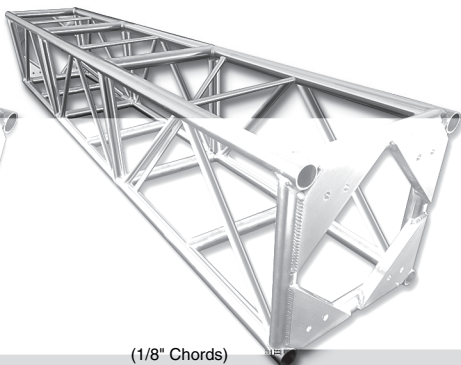


MEDIUM DUTY TRUSS 20.5" x 20.5" PLATED



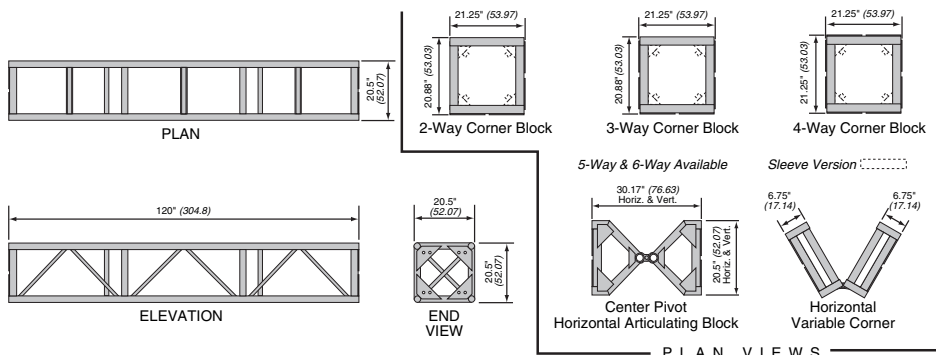
(3/16" Chords)



(1/8" Chords)

Standard lengths are ' ' and ' ' and custom lengths available upon request

- Equipped with single Camlocs or bolts
- Available with double Camlocs
- Available with casters
- Diagonals are 1" OD x 1/8" aluminum
- Fabricated by certified welders



ALLOWABLE LOAD DATA

MEDIUM DUTY TRUSS " X " PL TED

				POINT		POINT		POINT	
ft (mtrs)	#ft.	lbs (kgs)	in.	lbs (kgs)	in.	lbs (kgs)	in.	lbs (kgs)	in.
Single Camloc through 3/8" gusset plates									
(3.04)		(2985)	0.06	(1493)	0.05	(1120)	0.06	(747)	0.06
(6.09)		(1424)	0.24	(717)	0.19	(538)	0.24	(358)	0.23
(9.14)		(885)	0.53	(445)	0.44	(333)	0.54	(222)	0.51
(12.21)		(581)	0.93	(298)	0.80	(224)	0.97	(149)	0.91
(15.24)		(386)	1.43	(203)	1.28	(152)	1.50	(101)	1.43
Two Camlocs through 3/8" gusset plates									
(3.04)		(3806)	0.08	(2420)	0.08	(1815)	0.10	(1210)	0.09
(6.09)		(2359)	0.38	(1180)	0.31	(885)	0.39	(590)	0.36
(9.14)		(1497)	0.86	(753)	0.70	(565)	0.88	(377)	0.82
(12.21)		(1052)	1.52	(530)	1.26	(397)	1.56	(265)	1.46
(15.24)		(771)	2.38	(388)	2.01	(291)	2.43	(194)	2.30
5/8" Diameter Grade 8 bolts with standard washers through 3/8" gusset plates									
(3.04)		(3806)	0.08	(2152)	0.07	(1614)	0.09	(1076)	0.08
(6.09)		(2087)	0.34	(1046)	0.27	(784)	0.35	(523)	0.32
(9.14)		(1320)	0.76	(664)	0.62	(498)	0.78	(332)	0.73
(12.21)		(925)	1.36	(463)	1.13	(347)	1.39	(231)	1.30
(15.24)		(658)	2.10	(334)	1.80	(251)	2.16	(167)	2.05

Note Deflections reported in the above tables are maximum expected for full loadings (indoors only)
 If loads are based on ' ' sections Other section lengths are available
 Load tables are reprinted from engineering reports developed by Parkhill, Smith & Cooper, Inc., structural engineers, and apply to truss fabricated after December, 1989.

MEDIUM DUTY TRUSS " X " PL TED

End plates equipped for double sets of bolts or amlocs supplied with one set only

	lbs (kgs)
	(25)
	(35)
	(39)
	(14)
	(15)
	(18)
	(24)
	(27)

	lbs (kgs)
	(30)
	(42)
	(47)
(center pivot)	(27)
(center pivot)	(27)
(book style with brace)	(21)
(book style with brace)	(21)
	(20)
	(23)
	(26)